

1106052

S50 AIRLESS 230V 50HZ

3237898_1106052_R03W - R03W (1/7/2023)



Access Platform Division

Via San Francesco d'Assisi, 8 - 46020 Pegognaga (Mantova) - ITALY Tel. +39 0376
554011 - Fax +39 0376 559855

www.imergroup.com

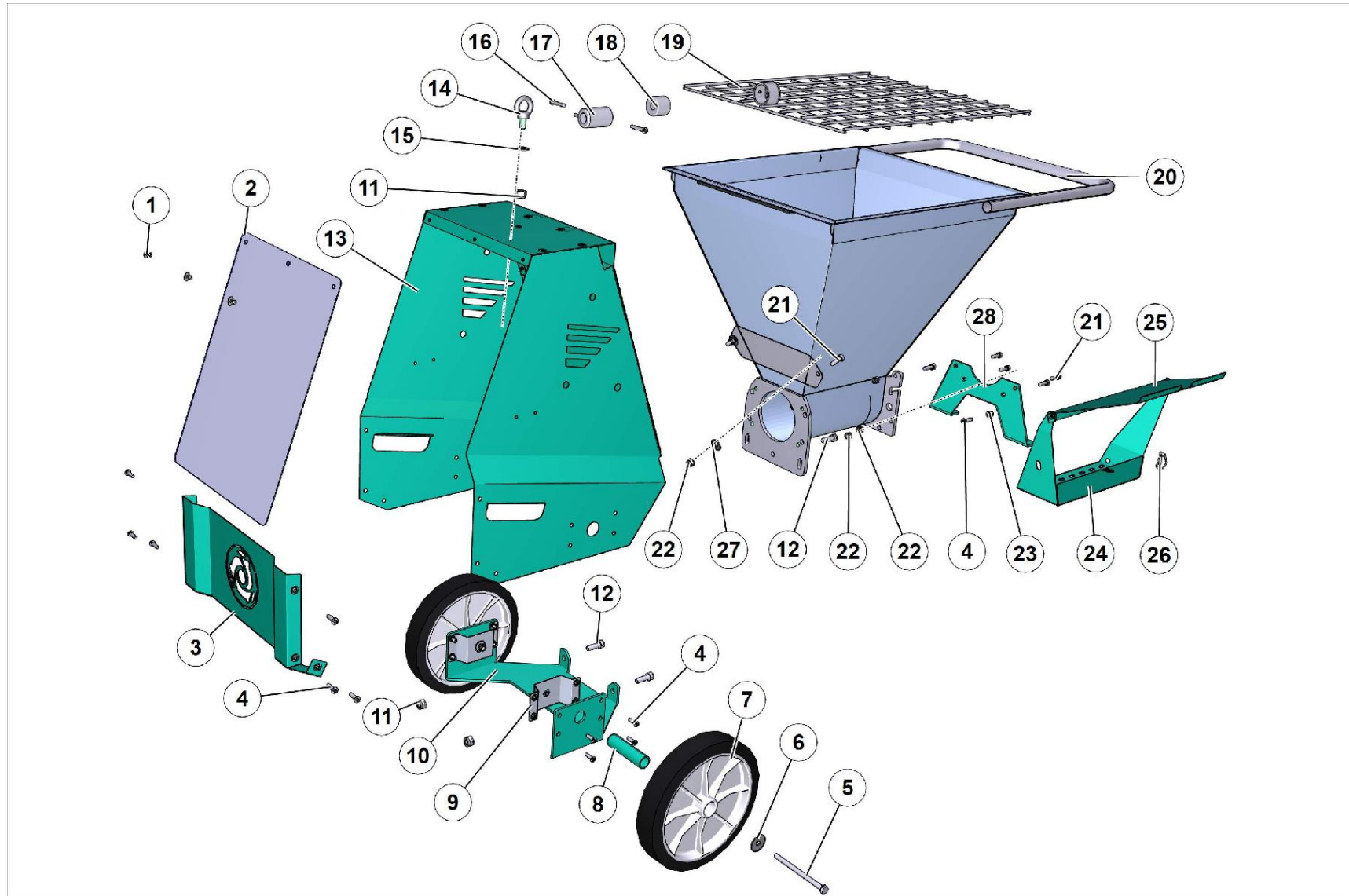
Building Equipment Division

Via della Meccanica, 39 (Zona Industriale Sentino) - 53040 Rapolano Terme
(Siena) - ITALY - Tel. +39 0577 97341 - Fax +39 0577 704077

www.imergroup.com

www.imerglobalcustomercare.com

FRAME



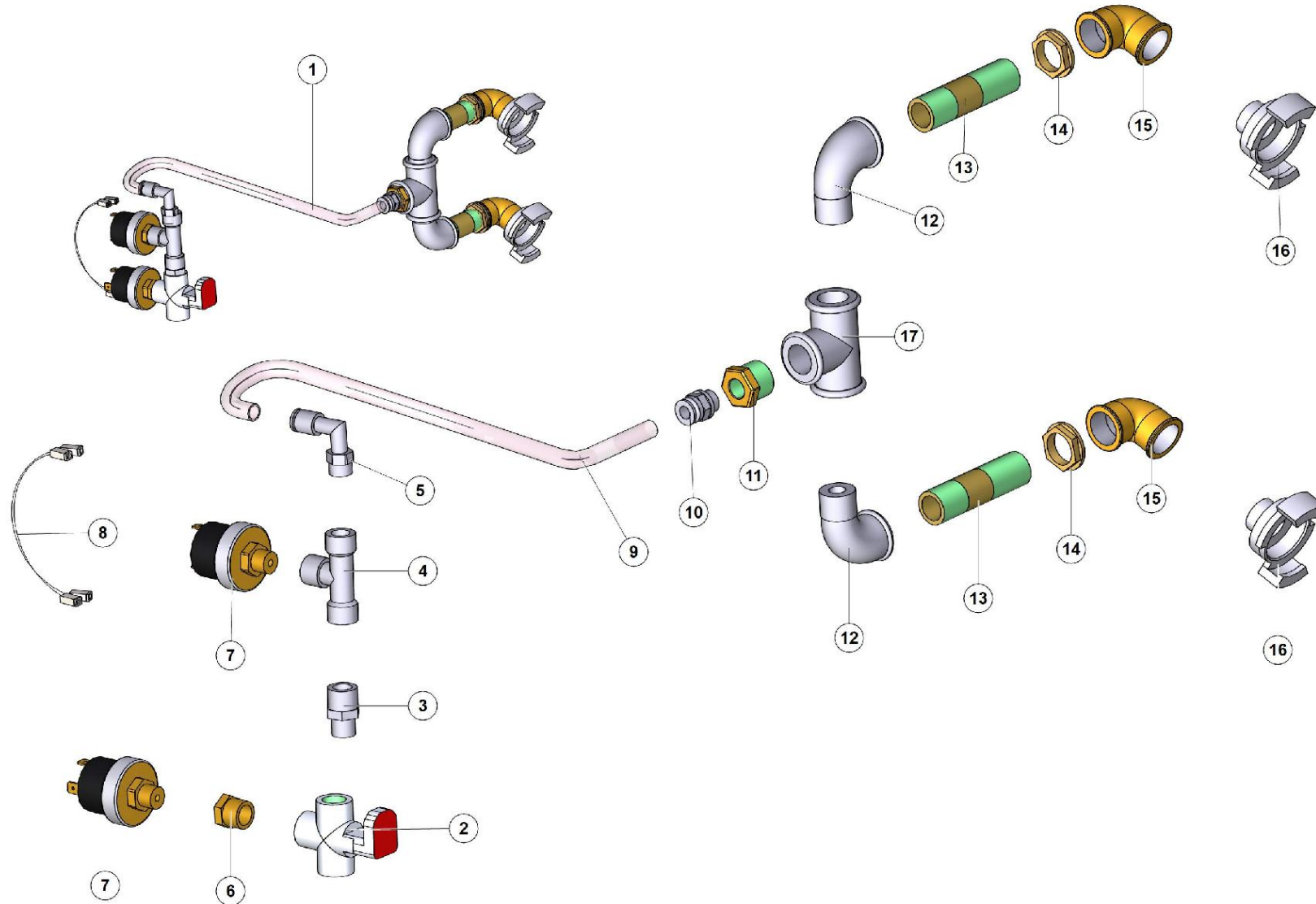


N.	CODE	DESCRIPTION	UM	QTY
1	2288788	Self-tapping screw	PZ	3.0
2	3225861	PROTECTION	PZ	1.0
3	3237689	PLATE	PZ	1.0
4	3206223	SCREW	PZ	16.0
5	2222068	SCREW TE 8.8 5737 8X110 Z	PZ	2.0
6	2224190	WASHER	PZ	6.0
7	2211150	WHEELS	PZ	2.0
8	3237714	TUBE	PZ	2.0
9	3237685	HOOK	PZ	2.0
10	3237711	PLATE	PZ	1.0
11	2223920	SELF-LOCKING NUT	PZ	3.0
12	2222571	SCREW TCEI 5931 10X 30 Z	PZ	3.0
13	3237683	FRAME	PZ	1.0
14	3209356	EYE-BOLT/MORTAR PUMP	PZ	1.0
15	2224340	ROLLER/MORTAR PUMP	PZ	1.0
16	3237684	SCREW TBEI 10.9 6X35 Z		2.0
17	3224239	MAGNETIC SENSOR/SCREW PUMP	PZ	1.0
18	3226027	MAGNET'S BUSHING	PZ	1.0
19	3224228	GRID	PZ	1.0
20	3237691	HOPPER	PZ	1.0
21	2222076	SCREW/SAW	PZ	6.0



N.	CODE	DESCRIPTION	UM	QTY
22	2223923	LOCK NUT	PZ	4.0
23	2223924	NUT	PZ	2.0
24	3237721	PLATE	PZ	1.0
25	3237720	COVER	PZ	1.0
26	3224628	SPLIT PIN	PZ	1.0
27	2224204	ROLLER/SAW	PZ	1.0
28	3237712	FRONT FOOT PAINTED SMALL 50 NEW	PZ	1.0

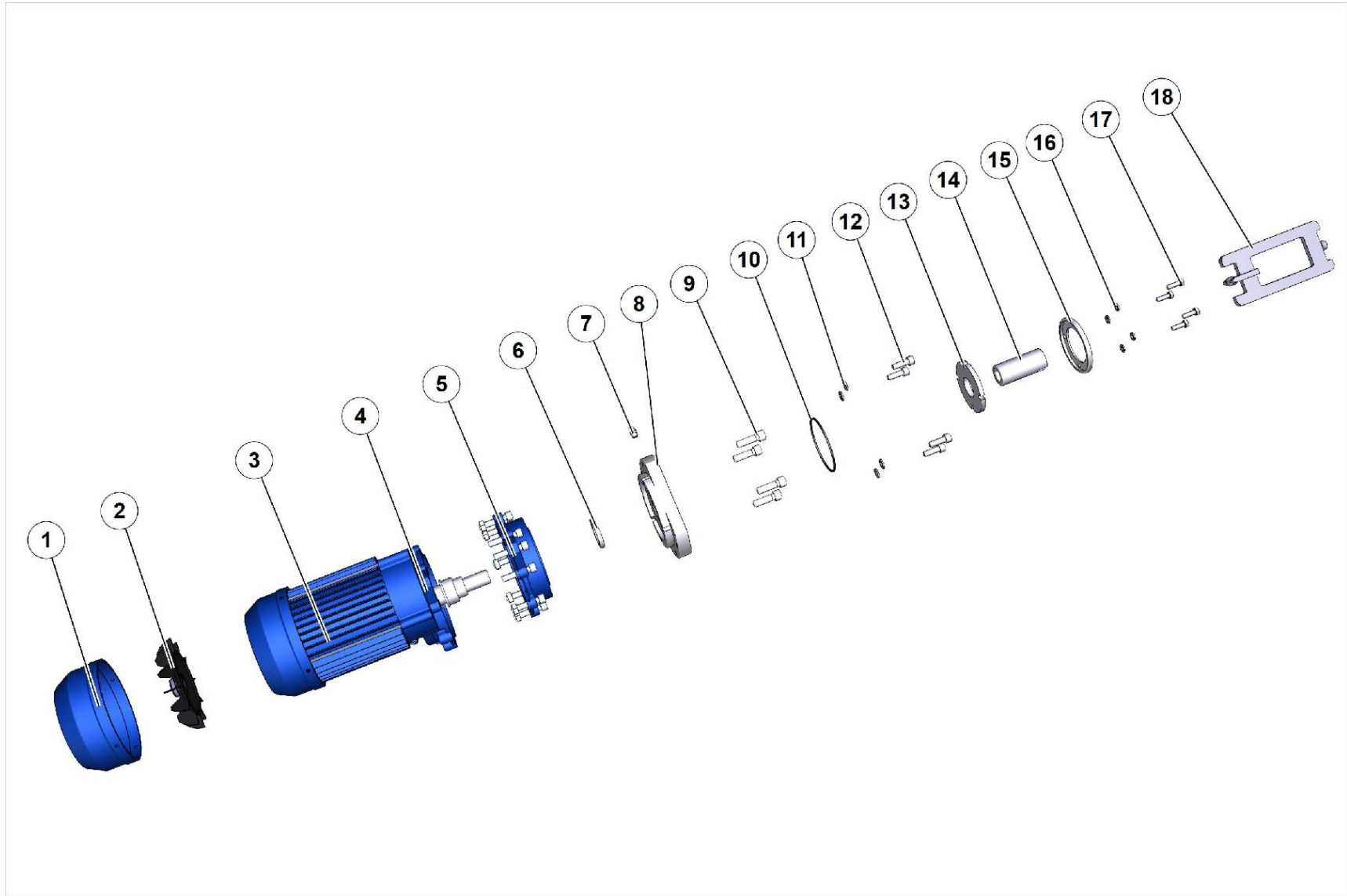
AIR CIRCUIT





N.	CODE	DESCRIPTION	UM	QTY
1	3300245	AIR GROUP SMALL 50 ES/EVO/MIGHTY		1.0
2	3238684	BALL VALVE		1.0
3	3228353	NIPPLES	PZ	1.0
4	3224968	COUPLING	PZ	1.0
5	3224345	CONNECTOR AIR	PZ	1.0
6	3229717	'REDUCTION M.3/8" F.1/4" RAW BRASS'	PZ	1.0
7	3223630	WATER PRESSURE SWITCH	PZ	2.0
8	3300253			1.0
9	1272701	TUBE/SCREW PUMP	M	1.0
10	3224359	AIR COUPLING	PZ	1.0
11	3223609	REDUCER	PZ	1.0
12	3224351	ELBOW FITTING	PZ	2.0
13	3223958	BRANCH	PZ	2.0
14	3223730	FLANGED RINGNUT	PZ	2.0
15	3224168	ELBOW FITTING 90°	PZ	2.0
16	3224203	RAPID FIXATION/SCREW PUMP	PZ	2.0
17	3224350	CONNECTOR	PZ	1.0

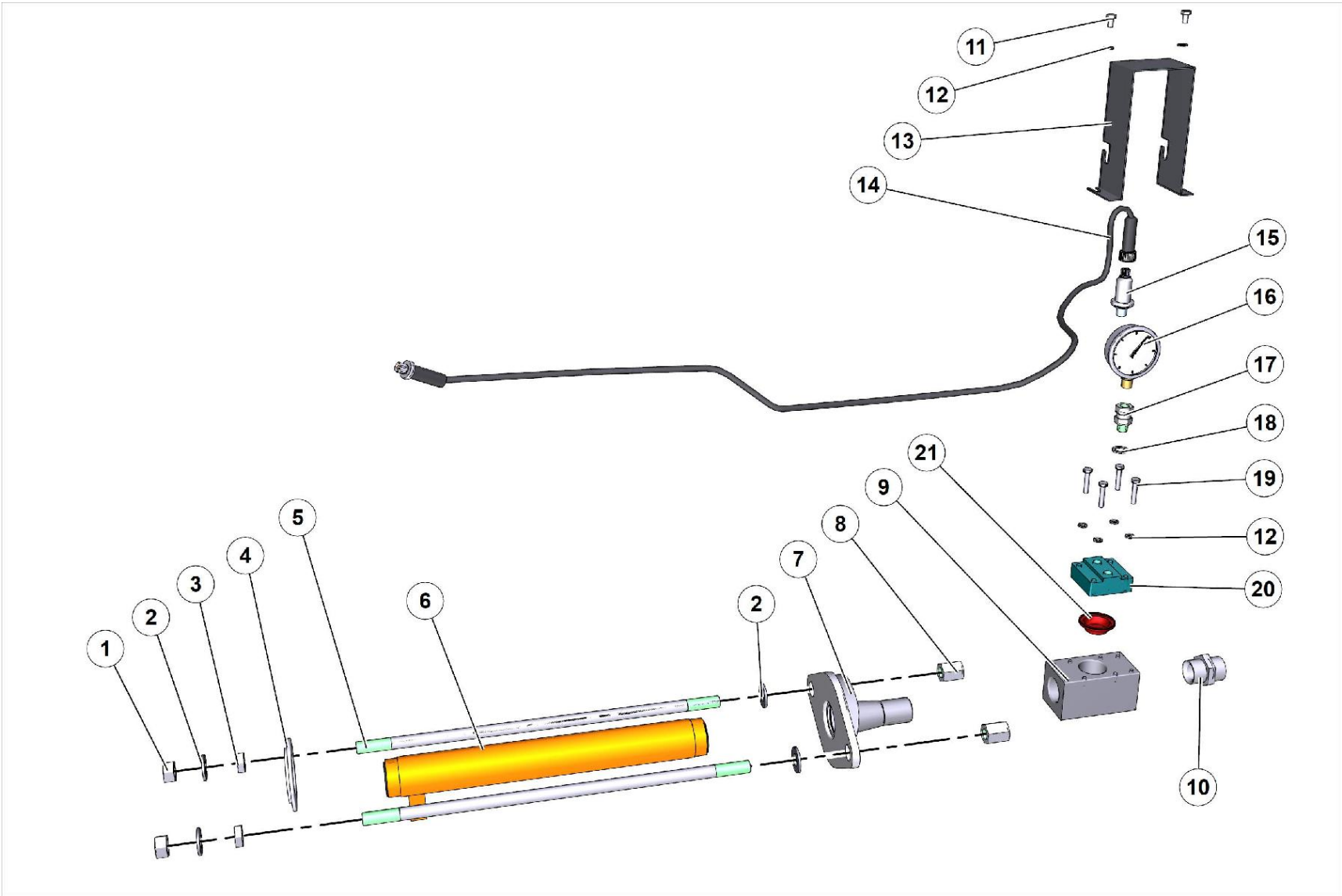
MOTOR AND TRANSMISSION





N.	CODE	DESCRIPTION	UM	QTY
1	2291266	FAN COVER	PZ	1.0
2	3234265	FAN MOTOR MEC 90 HOLE ?24	PZ	1.0
3	3228423	GEARMOTOR	PZ	1.0
4	3228438	SHELL	PZ	1.0
5	3228437	COVER	PZ	1.0
6	3224237	OIL SEAL/SCREW PUMP	PZ	1.0
7	3224505	GREASE CUP/SCREW PUMP	PZ	1.0
8	3237696	FLANGE	PZ	1.0
9	3237719	SCREW TCEI 5931 10X40 Z	PZ	4.0
10	3229782	O-RING GN090218	PZ	1.0
11	2224074	2224074 WASHER LOCK	PZ	4.0
12	2222571	SCREW TCEI 5931 10X 30 Z	PZ	4.0
13	3224230	GASKET/SCREW PUMP	PZ	1.0
14	3300375	TORQUE CONVERTER/SCREW PUMP	PZ	1.0
15	3224231	SEAL/SCREW PUMP	PZ	1.0
16	2224060	ROLLER GROWER	PZ	4.0
17	2222076	SCREW/SAW	PZ	4.0
18	3300384	TRANSMISSION ROD/SCREW PUMP	PZ	1.0

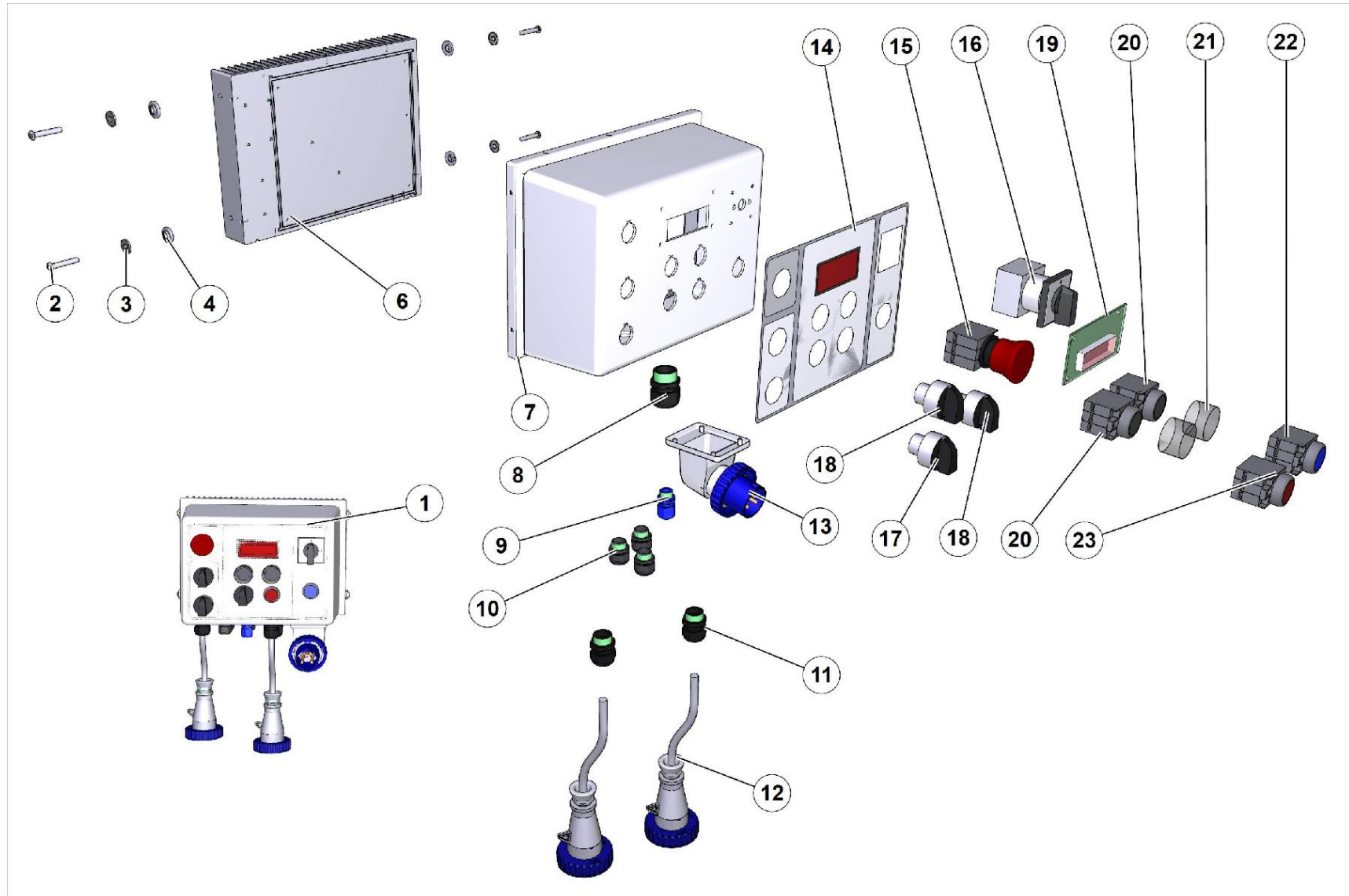
PUMPING UNIT





N.	CODE	DESCRIPTION	UM	QTY
1	2223806	NUT	PZ	2.0
2	2224640	WASHER	PZ	4.0
3	2223807	NUT/MN	PZ	2.0
4	3237693	FLANGE		1.0
5	3237703	DELIVERY MANIFOLD STAY/SCREW PUMP		2.0
6	-----			1.0
7	3237698	SMALL 50 NEW INOX MATERIAL OUTLET TUBE	PZ	1.0
8	3224395	NUT M.16	PZ	2.0
9	3237947	PRESSURE GAUGE BLOCK	PZ	1.0
10	3229631	NIPPLES	PZ	1.0
11	2222003	SCREW	PZ	2.0
12	2224530	ROLLER/MN	PZ	6.0
13	3237949	COVER	PZ	1.0
14	3237665	EXTENSION	PZ	1.0
15	3237521	MBS 8250 OIL PRESSURE SENSOR	PZ	1.0
16	3237723	MANOMETER/SCREW PUMP	PZ	1.0
17	3225130	NIPPLES/MN	PZ	1.0
18	3251845		PZ	1.0
19	2222022	SCREW	PZ	4.0
20	3237948	PRESSURE GAUGE BLOCK	PZ	1.0
21	3223392	MANOMETER'S MEMBRANE/MORTAR PUMP	PZ	1.0

PANEL CONTROL





N.	CODE	DESCRIPTION	UM	QTY
1	3237660	ELECTRIC PANEL COMPLETE SMALL50 220V HP		1.0
2	3237684	SCREW TBEI 10.9 6X35 Z		4.0
3	2224531	WASHER	PZ	4.0
4	3224581	NYLON WASHER	PZ	4.0
6	3238832	BOARD	PZ	1.0
7	3237664	BOX		1.0
8	3201503	CABLE CLAMP	PZ	1.0
9	3227508	CABLE CLAMP/SAW	PZ	1.0
10	3201217	CABLE CLAMP	PZ	3.0
11	3201442	CABLE CLAMP/SAW	PZ	2.0
12	3203545	PLUG/SAW	PZ	2.0
13	3203084	PIN	PZ	1.0
14	3237663	STICKER		1.0
15	3225237	EMERGENCY PUSHBUTTON	PZ	1.0
16	3237740	THERMAL CUTOFF ACTUATOR	PZ	1.0
17	3230317	SWITCH 2 POSITION + CONTACTOR ELECTRIC C	PZ	1.0
18	3230318	SWITCH 2 LEFT RETURN POSITION +CONTACTS	PZ	2.0
19	3229742	INVERTER BOARD DISPLAY 1002-02	PZ	1.0
20	3225437	PUSHBUTTON/SCREW PUMP	PZ	2.0
21	3225437	PUSHBUTTON/SCREW PUMP	PZ	2.0
22	3230448	COMPLETE BLUE LAMPHOLDER + LED 24 VDC	PZ	1.0



N.	CODE	DESCRIPTION	UM	QTY
23	3230449	COMPLETE RED LAMPHOLDER + LED 24 VDC	PZ	1.0



Access Platform Division

Via San Francesco d'Assisi, 8 - 46020 Pegognaga (Mantova) - ITALY Tel. +39 0376
554011 - Fax +39 0376 559855

www.imergroup.com

Building Equipment Division

Via della Meccanica, 39 (Zona Industriale Sentino) - 53040 Rapolano Terme
(Siena) - ITALY - Tel. +39 0577 97341 - Fax +39 0577 704077

www.imergroup.com